



New EAF

[Home](#) > [New Arrival](#) > [New EAF](#)



\$9.90-\$248.00

Available now!

ZWO EAF

\$199.00

[Add to cart](#)

SKU: ZWO EAF-5V Categories: [Accessories](#), [New Arrival](#) Tag: [ZWO EFWmini the smallest EFW](#)

Products Category

- [ASIAIR PRO](#)
- [DSO Cooled Cameras](#)
- [Planetary Cameras](#)
- [Guide Cameras](#)
- [Filter & Filter wheel](#)
- [Accessories](#)
- [Discontinued Product](#)

Description	Shipping&Warranty	Software&Manuals	Q&A (35)
-------------	-------------------	------------------	----------

Product Description



Introducing 5V EAF, this electronic focuser, like its previous version, enables precise, dynamic focus control for planetary and deep-sky imaging, while only connected **to a 5V USB-port**.

Recently Viewed Products

- ASIAIR PRO**
\$39.00-\$527.00
- New EAF**
\$9.90-\$248.00

Your Cart

No products in the cart.



Features:

1. Highly integrated design
2. Support ASCOM platform and various ASCOM-compatible third-party software
3. Support INDI
4. Support original software such as ASIAIR and ASISudio
5. Support automatic focusing for DSO imaging
6. Support handle controller and manual focusing
7. Support temperature sensor
8. USB HID device and driver-free
9. Stable and durable



Compared to the old version of the EAF focuser, the main change of the 5V EAF is to eliminate the need for a 12V power supply port. Now you can directly connect it to your camera, laptop or ASIAIR PRO via the USB 2.0 port and

use a cable for both data transmission and power supply! This makes the cable management much easier, as well as reducing the need for additional power outlets.

The innovative decorative pattern on the EAF is inspired by the changes of Airy disk during focusing showing how the focusing curve gives a local minimum at best focus – giving an easy explanation on how the EAF works just with a glance on the cover!



There are two variants of the 5V EAF:

Standard Version: EAF body, flexible coupling, motor bracket, USB2.0 cable.

Advanced Version: EAF body, flexible coupling, motor bracket, USB2.0 cable, hand controller, temperature sensor.

You could purchase the standard version first, and then buy other accessories to upgrade in the future.



Hand Controller



Temperature Sensor

The casing of the hand controller uses environment-friendly ABS-material. It has a 3.5mm female socket. The design aims at giving you the best ergonomic grip, so that you focus (pun intended) on capturing images!

The hand controller provides an easy method of focusing the telescope, featuring IN- and OUT-buttons, a 2-line display, slow and fast speed rate control.

A "must-have" option for EAF users!



Support list:

SkyWatcher Astrophotography Reflectors, SkyWatcher Black Diamond, SkyWatcher Dobsonians, SkyWatcher Maksutov-Newtonians.

SharpStar telescopes,

SkyRover telescopes,

TS Optics,

Astro Tech,

Feather Touch,

Please be aware that not all models from the brands above are supported. You can read the following instruction for the full supported list of telescopes and the different connection methods:

[ZWO EAF Compatible Focuser List & Connecting Methods](#)

More models will be supported in the future. Please stay tuned.



Parameters:

Size: 59mm x 52mm x 41mm

Moter: Step moter, 35mm diameter, 7.5° step angle

Reduction ratio: 120

Power/Data port: USB2.0 port, Type-B

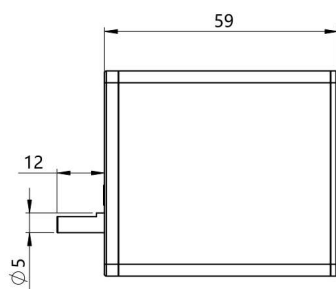
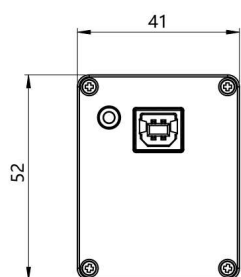
Weight: 277g

Capacity: 5kg

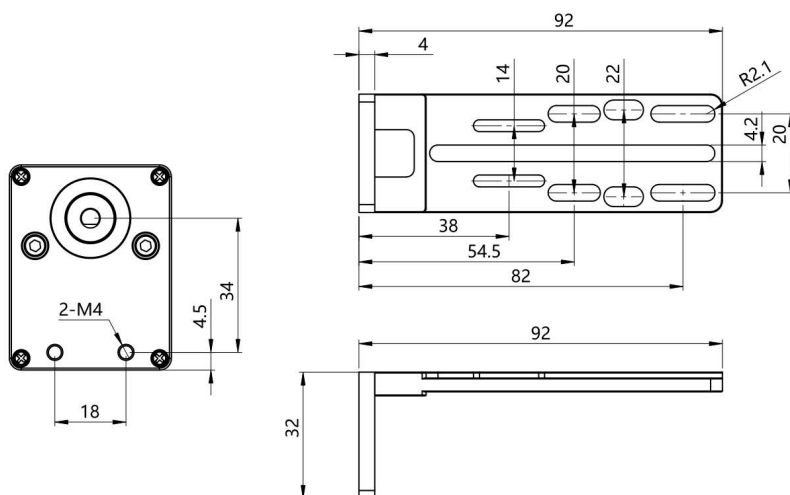
Connecting diagram



Mechanical diagram



Unit:mm
单位:毫米



What's in the box?



EAF Body



Motor bracket



Flexible coupling
(diameter 19mm length 25mm)



2m USB2.0 cable



ZWO EAF bracket for Takahashi Scope

(this part is defined as optional accessories for ZWO EAF)

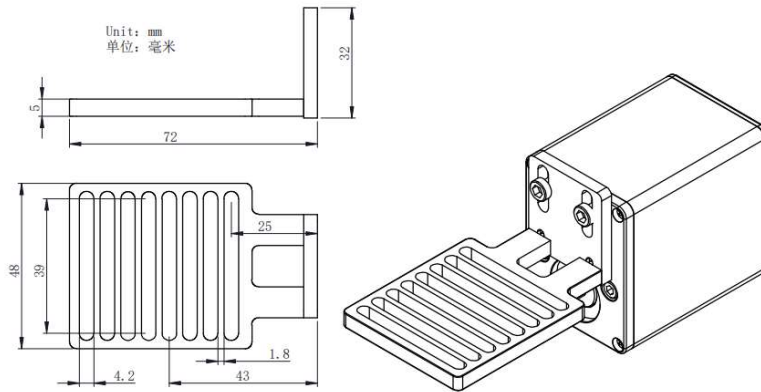
Support List:

Takahashi FSQ85

Takahashi FSQ106 (except for the first generation)

Takahashi TOA-130NFB

Mechanical diagram:



What's in the box?

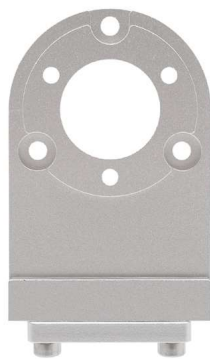


ZWO EAF Bracket for Celestron C8/C9.25/C11/C14

(this part is defined as optional accessories for ZWO EAF)

This bracket is designed to work with C8, C9, C11 and C14 the Celestron SCT scopes. You can directly connect it to the scopes without using the feather touch focusers.

It is CNC milled from an aircraft graded aluminum block. Quality reliable.



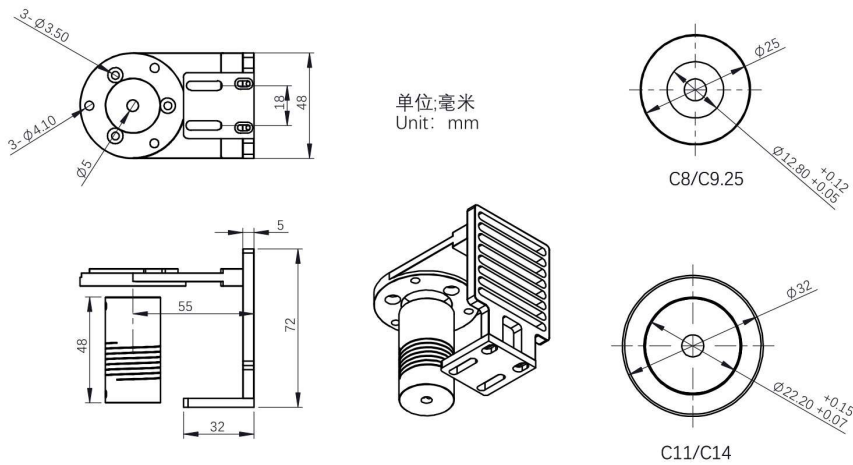


The detailed supported list:

EAF-SCT-C8/C9.25	
Number	Supported Modules
1	8" ROWE-ACKERMANN SCHMIDT ASTROGRAPH (RASA 8) OPTICAL TUBE ASSEMBLY (CGE DOVETAIL)
2	EDGEHD 8" OPTICAL TUBE ASSEMBLY (CGE DOVETAIL)
3	C8 OPTICAL TUBE ASSEMBLY (CGE DOVETAIL)
4	C8 OPTICAL TUBE ASSEMBLY (CG-5 DOVETAIL)
5	EDGEHD 9.25" OPTICAL TUBE ASSEMBLY (CGE DOVETAIL)
6	C9.25 OPTICAL TUBE ASSEMBLY (CGE DOVETAIL)
7	C9.25 OPTICAL TUBE ASSEMBLY (CG-5 DOVETAIL)

EAF-SCT-C11/C14	
Number	Supported Modules
1	11" ROWE-ACKERMANN SCHMIDT ASTROGRAPH (RASA 11) V2 OPTICAL TUBE ASSEMBLY (CGE DOVETAIL)
2	EDGEHD 11" OPTICAL TUBE ASSEMBLY (CGE DOVETAIL)
3	C11 OPTICAL TUBE ASSEMBLY (CGE DOVETAIL)
4	C11 OPTICAL TUBE ASSEMBLY (CG-5 DOVETAIL)
5	EDGEHD 14" OPTICAL TUBE ASSEMBLY (CGE DOVETAIL)
6	C14 OPTICAL TUBE ASSEMBLY (CGE DOVETAIL)

Mechanical Diagram:



What's in the box?

1. For Celestron C8 and C9.25



Flexible coupling x1

Motor bracket x1

M4-8mm x2

M3-14mm x3

2. For Celestron C11 and C14



Flexible coupling x1

Motor bracket x1

M4-8mm x2

M3-35mm x3

M4-35mm x3

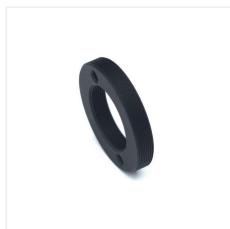
Related Products



ZWO T2 to T2
adapter

\$12.00

Add to cart



T2 To CS or C adapter

\$12.00

Add to cart



desiccant tablets for
cooled cameras

\$19.00

Add to cart



ZWO NEW 1.25" ADC
(Atmospheric
Dispersion Corrector)

\$128.00

Add to cart

Deep-Sky imaging

Famous low noise cooled ZWO ASI cameras. Color or Mono CMOS sensors to be cooled to

Sun & Moon imaging

Our ASI174MM/MC with a resolution 2.3 Mega Pixels is the best solution for serious

Planetary Imaging

Our planetary cameras are among the most used planetary cameras in the world. Ideal for

Atmospheric Dispersion Corrector

ZWO Atmospheric Dispersion Corrector significantly improve the quality of images or you

Highest Quality Guaranteed

We guarantee the highest quality and technical support for all ZWO products. Trusted by

35C to 40C degrees below ambient! [more >](#) astronomers who want to capture the Sun or Moon in all its beauty. [more >](#) all amateur astrophotographers working in the field. [more >](#) live image in eyepiece. Mandatory for serious planetary observing and imaging. [more >](#) astronomers all around the world. [more >](#)